

# JACKS AND HYDRAULICS

## Floor Jacks & Stands

### 2 Ton Floor Jack

SKU 964622 **324<sup>99</sup>**  
HEIHW93642  
• Min. Height: 4-1/2"  
• Max. Height: 20-1/4"



### 3 Ton Floor Jack

SKU 964623 **429<sup>99</sup>**  
HEIHW93652  
• Min. Height: 5"  
• Max. Height: 23-1/2"



### 4 Ton Floor Jack

SKU 964624 **1,469<sup>99</sup>**  
HEIHW93657  
• Min. Height: 5"  
• Max. Height: 25-3/4"



### 10 Ton Manual Floor Jack

SKU 964625 **2,589<sup>99</sup>**  
HEIHW93660  
• Min. Height: 6-3/4"  
• Max. Height: 25-1/2"



### 3 Ton Ratcheting Jack Stand Set

SKU 964601 **69<sup>99</sup>**  
HEIHW93503  
• Max. Height: 19"  
• Ratchet Action Height Adjustment



### 6 Ton Ratcheting Jack Stand Set

SKU 964621 **109<sup>99</sup>**  
HEIHW93506  
• Max. Height: 25-3/8"  
• Ratchet Action Height Adjustment



### 10 Ton Jack Stand Set

SKU 222506 **499<sup>99</sup>**  
HEIHW93512  
• Max. Height: 31-1/2"



### The Banner 3-1/2 Ton Fast Lift Service Jack

SKU 344792 **164<sup>99</sup>**  
BHKHB6350

- Min. Height: 5-1/2"
- Max. Height: 22"



### 3 Ton "Magic Lift" Jack with 3 Ton Stands

SKU 544584 **169<sup>99</sup>**  
OMG25033

- Jack Maximum Height: 20-7/8"
- Jack Minimum Height: 5-1/4"
- Jack Stands Maximum Height: 17"
- Jack Stands Minimum Height: 11-1/2"



### 3-1/2 Ton "Magic Lift" Service Jack

SKU 964644 **249<sup>99</sup>**  
OMG27035

- Innovative Design of Magic Lift Offers a Quick Lift
- Max. Height: 23"
- Low Profile Design Allows for Easy Access to Lift Points



### 2 Ton Low Profile Jack

SKU 964645 **274<sup>99</sup>**  
OMG29023

- For Low Profile Cars As Well As SUVs
- Extra Long Low Side Rails to Reach Hard to Get to Jack Points
- Low Height: Only 2.5"
- Max. Height: 20"



### 3 Ton Jack Stand Set

SKU 222493 **39<sup>99</sup>**  
BHKBH5030  
• Max. Height: 17"



### 1,500 Lbs. Motorcycle Jack

SKU 300788 **179<sup>99</sup>**  
SFAT-2152

- Lift and Lower Your Motorcycle, ATV, Dirtbike and More with the Easy-to-Use Foot Pedal
- 1,500 Lbs. Weight Capacity
- Lift Height Over 14"
- Low Profile Clearance of 4-1/2"



### 22 Ton Truck Stand - Pin Style

SKU 964651 **169<sup>99</sup>**  
OMG32225

- Min. Height: 9-1/2"
- Max. Height: 19-7/8"
- Sturdy, Welded Steel Construction for Superior Safety and Strength
- Sold in Pairs
- Used in Pairs



### 1-1/2 Ton Aluminum Racing Jack

SKU 901504 **259<sup>99</sup>**  
RANRFJ3000AL

- Min. Height: 3-1/2"
- Max Height: 17-3/4"



### 1,500 Lbs. High Reach Jack Stand

SKU 300796 **119<sup>99</sup>**  
BHKBH5710

- Min. Lift Height: 53-3/8"
- Max. Lift Height: 78-7/8"
- Base: 12" Diameter



### 3/4 Ton High Reach Jack Stand with Foot Pedal

SKU 300797 **124<sup>99</sup>**  
BHKBH5715



## Hydraulic Jacks

### 22 Ton Air Hydraulic Truck Jack

SKU 544796 **399<sup>99</sup>**  
24851

- Compact, Low Profile Design Easily and Safely Fits Between Wheels of Tandem Axle Vehicles
- Min. Height: 8-7/8"
- Max. Height: 17-3/4"
- Ram Travel: 4-3/4"
- Screw Adjustment: 4-1/8"



## Jack Accessory

### Garage Floor Jack Crossbeam

SKU 544803 **59<sup>99</sup>**  
24833

- Compatible with Any Floor Jack that Has a 1-1/8" Diameter Saddle Stud
- Saddles Adjust from 23" to 32" On Center
- Weight Capacity at Min. - Max. Width: 3,000 Lbs. - 4,000 Lbs.



# SAVE \$20

### 20 Ton Air Hydraulic Bottle Jack

SKU 544795 **109<sup>99</sup>** REG: \$129.99  
24850

- Can Be Operated with Air or Manually
- Height: 10.25" - 20"
- Extension Screw Adjusts 3.25"

Offer Good Through June 30, 2016 - While Supplies Last



## Bottle Jacks

### 20 Ton Air Actuated Bottle Jack

SKU 964637 **379<sup>99</sup>**  
OMG18202C

- Min. Height: 9-1/2"
- Max. Height: 18-3/4"



## Tripod Jack Stands

### 2 Ton High Tripod Jack Stands

SKU 901744 **119<sup>99</sup>**  
RANRJS2TH

- Perfect for Holding Drive Train or Exhaust Components in Position
- Capacity: 4000 Lbs.
- Low Height: 55"
- Max Height: 87"



### 2 Ton Tripod Auxiliary Stand

SKU 818750 **129<sup>99</sup>**  
OMG33020

- Heavy Gauge, Steel Frame Helps Prevent Distortion or Twisting
- Adjustable Height: 53-3/4" - 78-7/8"
- Base: 24" x 24" x 24"



NEW

## Wheel Dolly

### 3/4 Ton Wheel Dolly

SKU 291389 **389<sup>99</sup>**  
OMG47053

- Safely Remove and Install Wheel Assemblies from HD Trucks
- Single, Duals/Tandems and Duplex Tires and Wheels
- Lift Arms Can Be Adjusted to Handle Different Wheel Combinations





**Leasing Terms Available!†**

Ask Your AutoZone®  
Commercial Sales Manager

**AutoZone®**  
**Tool & Equipment QUARTERLY**

**Transmission Jacks**

OEM TOOLS

**1,100 Lbs. Telescopic Transmission Jack**

SKU 544786 24840 **179<sup>99</sup>**

- Lift Range: 51" - 70"
- Adjustable Saddle with Tilt in Both Directions
- Durable Steel Casters
- Safety Tie-Down Chain to Secure the Load



**70" REACH**

**1/2 Ton Capacity Transmission Jack**

SKU 902481 RANRTJ1100 **379<sup>99</sup>**

- Lifting Capacity: 1,100 Lbs.
- Lowered Height: 45"
- Raised Height: 72"



**72" REACH**

**700 Lbs. Transmission Jack**

SKU 533215 BHKBH7000 **399<sup>99</sup>**

- Lifting Capacity: 700 Lbs.
- Lowered Height: 57-1/4"
- Raised Height: 76-5/8"
- Double Pivoting Adjustable Saddle that Can Expand to Almost 19" x 19"



**76-5/8" REACH**

**SAVE \$50**

**1,100 Lbs. High Lift Transmission Jack with Foot Pump**

SKU 750006 24844 **299<sup>99</sup>** REG. \$349.99

- Lift Range: 47" - 77"
- Adjustable Saddle with Tilt
- Spring-Loaded Release Valve Controls Lowering
- Durable Steel Casters



**77" REACH**

Offer Good Through June 30, 2016 - While Supplies Last

OEM TOOLS

**1 Ton, 2 Stage Transmission Jack**

SKU 544788 24842 **599<sup>99</sup>**

- Lift Range: 33.5" - 72.5"
- 3-Way Adjustable Saddle Slides and Tilts Both Directions
- Convenient Foot Pedal Pump and Release
- Safety Anchor
- Chain Included



**72-1/2" REACH**

Ranger PRODUCTS

**1 Ton Telescoping "Transjak"**

SKU 902478 RANRTJ1 **689<sup>99</sup>**

- Capacity First Stage: 2,000 Lbs.
- Capacity Second Stage: 1,000 Lbs.
- Lowered Height: 37"
- Raised Height: 79-1/2"



**79-1/2" REACH**

Ranger PRODUCTS

**1-1/2 Ton Telescoping Transmission Jack**

SKU 902484 RANRTJ3000 **749<sup>99</sup>**

- Capacity First Stage: 3,000 Lbs.
- Capacity Second Stage: 2,000 Lbs.
- Lowered Height: 37"
- Raised Height: 79-1/2"



**79-1/2" REACH**

OMEGA

**1/2 Ton Telescoping Transmission Jack**

SKU 964652 0MG41000C **849<sup>99</sup>**

- Lifting Capacity: 1,000 Lbs.
- Lowered Height: 37-7/8"
- Raised Height: 77-5/8"



**77-5/8" REACH**

OMEGA

**1/2 Ton Air Actuated Telescopic Transmission Jack**

SKU 222744 0MG41001C **999<sup>99</sup>**

- Air Turbo Motor Is Air Equipped to Raise the Load to the Desired Height Efficiently, Effortlessly and Safely
- Chrome-Plated Rams Maximize Its High Reach Operated By a User-Friendly Foot Pedal
- Max. Height: 78-1/8"



**78-1/8" REACH**

HEIN-WERNER AUTOMOTIVE

**1/2 Ton Air/Hydraulic Telescopic Transmission Jack**

SKU 964632 HEIHW93720 **2,249<sup>99</sup>**

- Combines Air and Hydraulic Power for Maximum Speed and Accuracy
- Lift Capacity: 1/2 Ton
- Lowered Height: 34"
- Max. Height: 72"



**72" REACH**

OEM TOOLS

**800 Lbs. Low Profile Transmission Jack**

SKU 544789 24843 **349<sup>99</sup>**

- Lift Range: 8-1/4" to 30-1/2"
- Fully Adjustable Saddle Adapts to Most Transmission Pans
- Swivel Saddle Adjusts Both Directions
- (4) Swivel Ball Bearing Casters for Ease of Mobility



HEIN-WERNER AUTOMOTIVE

**1 Ton Floor Style Transmission Jack**

SKU 964631 HEIHW93718 **1,989<sup>99</sup>**

- Max. Height: 44-3/4"
- Designed for Heavy Duty Transmissions



**Fuel Tank Adapter for Transmission Jacks**

SKU 222503 DOWJDI-FTA7 **189<sup>99</sup>**

- Safe and Convenient Adapter for Handling Vehicle Fuel Tanks
- Works with Most Transmission Jacks



**Body Repair**

OEM TOOLS



**4 Ton Porto Power Kit**

SKU 301327 24820 **149<sup>99</sup>**

- Long Handle Provides Low Pumping Effort
- Comes in a Blow Mold Case



**4 Ton Body Repair Kit**

SKU 964654 0MG50040 **179<sup>99</sup>**

- Quick Connect Technology for Effortless Assembly

OMEGA



**4 Ton Porto Power Kit**

SKU 964658 PPBB65114 **184<sup>99</sup>**

**10 Ton Porto Power Kit**

SKU 964663 PPBB65115 **294<sup>99</sup>**

- Snap-Lock Design for Quick and Easy Assembly
- Automatic Pump Overload System Protects Against Damage to Rams and Equipment
- 1/2 Ton Capacity Hydraulic Spreader Features 2" Jaws and Spreads from 5/8" to 3-3/4"
- Custom Fitted, Rugged Blow Molded Storage Case with Wheels for Easy Movement Between Jobs



**10 Ton Body Repair Kit**

SKU 964656 0MG50100 **244<sup>99</sup>**

- Quick Connect Technology for Effortless Assembly of Attachments to Meet Your Pushing and Pulling Needs
- Includes: Hand Pump, Hydraulic Hose, 10 Ton Ram, 18", 10", 4-1/8" and 28" Extension Tubes, Male Connector, Wedge Head, Serrated Saddle, Flat Base, Ram Toe, Plunger Toe, Rubber Head, 90° Combination Head, Spreader, Dust Cover (for Hose), Dust Cover (for Ram), Hose Coupler, Ram Coupler and Blow Mold Case

OMEGA

**Accessories**

**5 Ton Flat Body Kit**

SKU 964667 PPBB65139 **109<sup>99</sup>**

- Ideal for Applications in Limited Spaces
- (4) Adapters for Added Height
- Chrome Plated Plunger



**10 Ton Porto Power Kit**

SKU 301328 24821 **259<sup>99</sup>**

- Features a Faster (Double-Action) Hydraulic Pump Causing the Ram to Move with Both the Up and Down Strikes of the Arm
- Comes in a Blow Mold Case



**10,000 PSI Air Actuated Foot Pump**

SKU 964639 0MG22903 **259<sup>99</sup>**

- Provides Up to 10,000 PSI with Standard Shop Air Supply of 110 - 175 PSI
- Oil Capacity: 50 oz.



# JACKS AND HYDRAULICS

## BONUS Shop Press Pin Set

SKU 544794 | PART# 24813

Value: \$99.99

- Includes Set of (8) Press Pins, 2 to 20 Ton Capacity, with 25 mm Ram Adapter
- Suitable for Use with Hydraulic Ram Style Shop Presses Which Have a Female Ram Assembly Diameter of 25 mm and Are Secured with a Bolt
- Includes Mountable Bracket
- Works with OEMTOOLS 24811 and 24812
- Not for Use with Bottle Jack Style Shop Presses



OEMTOOLS

with Purchase of:  
**12 Ton Hydraulic Shop Press w/ Gauge**  
 SKU 544790 | Part# 24811  
 or  
**20 Ton Air/Hydraulic Shop Press w/ Gauge**  
 SKU 544793 | Part# 24812

## 12 Ton Hydraulic Shop Press with Gauge

SKU 544790

24811

349<sup>99</sup>

- Includes Press Blocks
- Oil Filled Pressure Gauge Provides Accurate Pressure Readings
- Measurement Between Uprights: 20"
- Working Range: 0" to 36-1/8"



## 20 Ton Air/Hydraulic Shop Press with Gauge

SKU 544793

24812

499<sup>99</sup>

- Includes Press Blocks
- Oil Filled Pressure Gauge Provides Accurate Pressure Readings
- Ram Moves Side to Side for Versatility
- Measurement Between Uprights: 21-1/8"
- Working Range: 0" to 40-1/2"



Offer Good Through June 30, 2016 - While Supplies Last

## SAVE \$50

OEMTOOLS

## 20 Ton Shop Press

SKU 300134 329<sup>99</sup> \$379.99  
 24810 REG:

- Remove and Install Bearings, Gears, U-Joints, Bushings, Ball Joints and Pulleys
- Multi-Position Bed for Work Height Adjustment
- Max. Height: 31.5"
- Max. Width: 21.75"
- Includes Press Plates



SUPER HEAVY DUTY H-FRAME PRESS WEIGHS OVER 250 LBS. PROVIDING MORE STRENGTH AND DURABILITY COMPARED TO SIMILAR LIGHTER WEIGHT SHOP PRESSES ON THE MARKET

Offer Good Through June 30, 2016 - While Supplies Last

## SAVE \$100

OEMTOOLS

## Vehicle Position Jacks with Storage Cradle (Set of 4)

SKU 696485 449<sup>99</sup> REG: \$549.99  
 68986

- Includes (4) Position Jacks with Storage Stand
- Move Up to a 6,000 Lbs. Vehicle with Ease Adjusts 3.25"



Offer Good Through June 30, 2016 - While Supplies Last

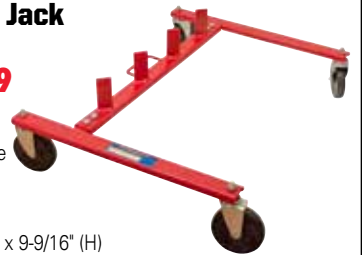
## Wheel Dollies

OEMTOOLS

## Vehicle Position Jack Storage Stand

SKU 544800 59<sup>99</sup>  
 24856

- Neatly Secure and Store Up to (4) Vehicle Car Dolly Jacks
- Dimensions: 24-7/8" (L) x 31-7/8" (W) x 9-9/16" (H)



## 1,500 Lbs. Vehicle Position Jack (Each)

SKU 544798 129<sup>99</sup>  
 24855

- Hydraulic Ram Provides Stable Foot Pedal Lift in Seconds
- Rolls in Any Direction



## Bearing Separators

### 5 Ton Bar-Type Puller/Bearing Separator Set

SKU 347218 99<sup>99</sup>  
 27236

- Separator Tools Are Used with Bar Puller and Legs for a Wide Variety of Pulling Jobs
- Set Includes: 2" and 3" Bearing Splitters, (4) Sets of Hex Push-Puller Legs and a Bar-Type Puller Head with a 9/16" Forcing Screw



### Bearing Splitter, 1/2" to 4-5/8"

SKU 514006 59<sup>99</sup>  
 27232

- Razor Sharp Edges Wedge Between Parts and Securely Holds Tool
- Maximum Spread: 4-5/8"
- Minimum Spread: 1/2"
- Thread of Tapped Holes in Adapter: 5/8" - 18
- Distance Between Adjusting Screws: 4-3/8"



### Bearing Splitter, 1/4" to 15/16"

SKU 514005 29<sup>99</sup>  
 27231

- Maximum Spread: 15/16"
- Minimum Spread: 1/4"
- Thread of Tapped Holes in Adapter: 5/16" - 18
- Distance Between Adjusting Screws: 1-11/16"



## Engine Stands

OEMTOOLS

### 1,250 Lbs. Engine Stand

SKU 462493 129<sup>99</sup>  
 24829

- Easy to Move and Rotate
- Heavy Gauge Square Steel Tube Frame
- Extra Wide 4 Wheel Base Provides Added Stability
- 360° Rotation
- Lock Pin Locks Engine into Position
- Includes Tool Tray



### 1,250 Lbs. Engine Stand

SKU 534418 179<sup>99</sup>  
 OMG31250

- Constructed from Heavy Gauge Welded Square Tubular Steel
- Extra Long Handle with Rubber Grips for Easy Rotation and Maneuvering



### 1 Ton Folding Engine Stand

SKU 544804 249<sup>99</sup>  
 24834

- Folds Upright to Conserve Valuable Floor Space
- Sturdy, Wide Base Design to Prevent Tipping Under Load
- Slotted Adjustable Saddle Permits Quick and Easy Installation
- Head Swivels 360° to Easily Position Engine



### 1,250 Lbs. Rotating Engine Stand

SKU 964646 349<sup>99</sup>  
 OMG31256

- Extra Long Handle with Rubber Grip for Easy Rotation and Maneuvering
- Head Plate Locks in 8 Positions and Rotates 360°
- Heavy Duty Worm Gear Allows for Smooth and Effortless Engine Rotation



## Engine Lifts

Duralast

### 2 Ton Capacity Engine Hoist

SKU 123037 229<sup>99</sup>  
 80-900T

- 8 Ton Capacity Hydraulic Jack for Faster and Easier Raising Action
- Large Diameter Ram to Withstand Side Loads
- 4 Position Telescoping Boom Is Adjustable from 1/2 Ton to 2 Ton Capacity
- Legs Are Over 55" Long for Greater Stability



### 2 Ton Folding Shop Crane

SKU 544801 399<sup>99</sup>  
 24830

- Foldable Design Makes for Convenient, Easy Storage
- (6) Solid Steel Caster Wheels Add Mobility
- Fully Adjustable 4 Position Boom



### 2 Ton Folding Engine Crane

SKU 902288 499<sup>99</sup>  
 RANRSC2TF

- Heavy Duty Hydraulic Folding Engine Hoist with 8 Ton Capacity Ram Is Perfect for Shops that Have Limited Space but Still Need the Pure Lifting Convenience of a Crane
- Front Casters Include a Safety Brake to Prevent Movement



## Engine Supports

THEXTON

### GM Engine Moving Tool

SKU 511006 59<sup>99</sup>  
 THX419X

- Fits GM Front Wheel Drive Vehicles with Engine Torque Struts
- Safely Holds Engine in Place
- Extra Bolt Holes Provide Fit On All Vehicles
- Includes Adapter 419A



### 3-Point Engine Support Bar

SKU 133617 79<sup>99</sup>  
 24951

- Makes Removal of Transaxle Easy By Supporting Engine of Front Wheel Drive Vehicles
- 700 Lbs. Capacity
- (2) 14" Adjustable Hook Screws
- Width Expands from 34-1/2" to a Full 61"
- (2) 38" Braided Steel Cables



### 1,100 Lbs. Engine Support

SKU 512946 119<sup>99</sup>  
 24950

- (2) Screw Adjusters for Precise Positioning - Makes Job Easier, Faster and Safer
- Rubber Feet to Prevent Damage to Vehicle and Ensure Stability
- 1,100 Lbs. Capacity



LOWER PRICE

2 HOOKS - 2 CHAINS

TWICE THE ADJUSTMENT MEANS FASTER, EASIER AND SAFER



**Leasing Terms Available!\***

Ask Your AutoZone®  
Commercial Sales Manager

**AutoZone®**  
**Tool & Equipment QUARTERLY**



Torin®'s newest brand "TCE" brings the professional market the same pride, dependability and service automotive professionals have trusted for the last 50 years.



All TCE products carry a two (2) year limited warranty.

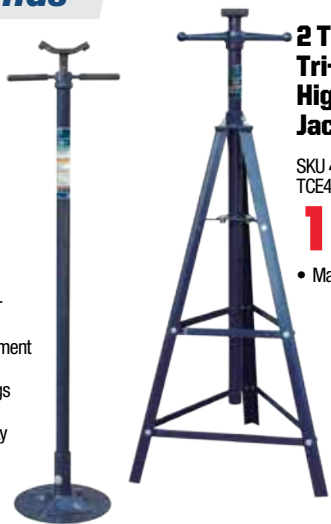
**Hoist Stands**

**1,500 lbs. High Position Jack Stand**

SKU 451493  
TCE40753

**99<sup>99</sup>**

- Max Height 79-7/8"
- Featuring Heavy-Duty Steel and High-Strength Welds for Safety in Mind
- ACME All Thread Rod Adjustment for Varied Load Heights
- Handles Have Thrust Bearings to Turn Easily Under Loads
- Large Bases for Extra Stability
- For Heavy Duty Jobs That Need Maximum Height Adjustment



**2 Ton Tri-Fold High Position Jack Stand**

SKU 451494  
TCE42009

**109<sup>99</sup>**

- Max Height 83-3/4"

**Transmission Jacks**

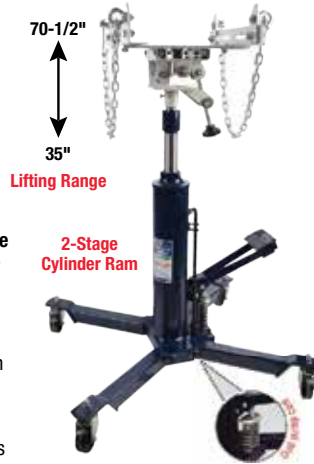
**1000 lbs Telescoping Transmission Jack**

SKU 451475  
TCE50055

**849<sup>99</sup>**

Double Ram for a Lower Profile Saddle Forward Tilt 30 Degree Saddle Reverse Tilt 12 Degree Lifting Range: 35" to 70-1/2"

- Single Person Operation
- Heavy-Duty Jack for Transmission Installation and Removal
- For Use with Car and Light Truck Transmissions
- Universal Mounting Head Provides a Wide Fore and Aft Tilt Range
- Manual Operated Hydraulic System



**1 TON Transmission Jack**

SKU 451476  
TCE10001

**729<sup>99</sup>**

- Single Person Operation
- Heavy-Duty Jack for Transmission Installation and Removal
- Universal Mounting Head Provides a Wide Fore and Aft Tilt Range
- Low Profile Design Enhanced by Four Heavy-Duty Steel Swivel Casters for Easy Maneuvering Throughout the Shop
- Manual Operated Hydraulic System
- Patented Unique 360° Handle Design



Saddle Forward Tilt 68 Degree Saddle Reverse Tilt 15 Degree Rated Capacity: 2000 Lbs. Lifting Range: 8-1/4" to 30-5/8"

**Jack Stands**

**7 Ton Square Tube Vehicle Support Stand**

SKU 451490  
TCE47000

**119<sup>99</sup>**

Adjustment Range: 9-5/8" to 15-3/8"

- Featuring a Heavy-Duty Square Tube Structure for Increased Strength and Stability and a Welded Frame Structure for Safety
- Solid Steel Height Adjustment Pin



(Sold in Pairs)

**10 Ton Round Tube Vehicle Support Stand**

SKU 451491  
TCE41000

**164<sup>99</sup>** each

Adjustment Range: 28-3/8" to 46-7/8"

- Featuring a Heavy-Duty Tubular Structure for Increased Strength and Stability and a Welded Frame Structure for Safety in Mind
- Large Bases for Extra Stability
- Solid Steel Height Adjustment Pin



**Vehicle Support Stand**

- One-Piece Multi-Position Ductile Ratchet Bar Provides Super Strength and Durability and Quick Adjustment Mechanism That Securely Locks into Desired Location

**4 Ton**  
Adjustment Range: 12-3/16" to 18-7/8"

SKU 451488  
TCE44008

**79<sup>99</sup>**

**7 Ton**  
Adjustment Range: 16-5/16" to 25-3/16"

SKU 451489  
TCE47008

**119<sup>99</sup>**



(Sold in Pairs)

**Lift Equipment**

**4,000 lbs (2 Ton) Ultra-Low Profile Garage Jack**

Lifting Range: 3" to 20"

- Ultra-Low Profile Design Gives Clearance to Even High Performance Super Cars
- Heavy-Duty Tubular Grip Handle That Provides Easy Handling
- Patented Quad-Trak Designed Polyurethane Front Wheels That Get Over Any Bump or Crack with No Resistance
- Polyurethane Mounted Rear Swivel Caster Wheels
- Rubber Saddle Pad and Foam Bumper Pad
- Built-In Wheel Nut Tray

SKU 451477  
TCE82002

**399<sup>99</sup>**



**6,500 lbs (3-1/4 Ton) Professional Garage Jack**

Lifting Range: 3-13/16" to 21-1/8"

Designed for the Shop Guys with Work in Mind and Security Guaranteed

- Dual Pump Pistons for Faster Rising Action
- Thick U-Channel Frame Side Plates and Reinforced Lifting Arm
- Tubular Grip Handle That Provides Easy Handling
- Rubber Saddle Pad and Foam Bumper Pad

SKU 451485  
TCE83508

**269<sup>99</sup>**



Dual Piston Pump

**Auto Body Repair Kit**

**4 Ton Auto Body Repair Ram System**

SKU 451492  
TCE70401

**159<sup>99</sup>**

Min. Ram Stroke 10-3/4"

Max. Ram Stroke 15-5/8"



- Included Items:**
- |                            |                         |
|----------------------------|-------------------------|
| (1) 16-1/2" Extension Tube | (1) Flat Base           |
| (1) 19-1/2" Extension Tube | (1) Gray Blow Mold Case |
| (1) 3-1/4" Extension Tube  | (1) Hydraulic Spreader  |
| (1) 5" Extension Tube      | (1) Male Connector      |
| (1) 8-1/2" Extension Tube  | (1) Plunger Toe         |
| (1) 90° Comb. Head         | (1) Rubber Head - Flat  |
| (1) Cylinder Assembly      | (1) Serrated Saddle     |
|                            | (1) Wedge Head          |

**Shop Presses**

**20 Ton Shop Press**

SKU 451481  
TCE20021

**1299<sup>99</sup>**

Force: 40,000 lbs  
Bed Internal Dimension: 21-5/8"  
Working Range: 0" to 39-3/8"  
Stroke: 7-1/2"

**30 Ton Shop Press**

SKU 451472  
TCE30021

**1599<sup>99</sup>**

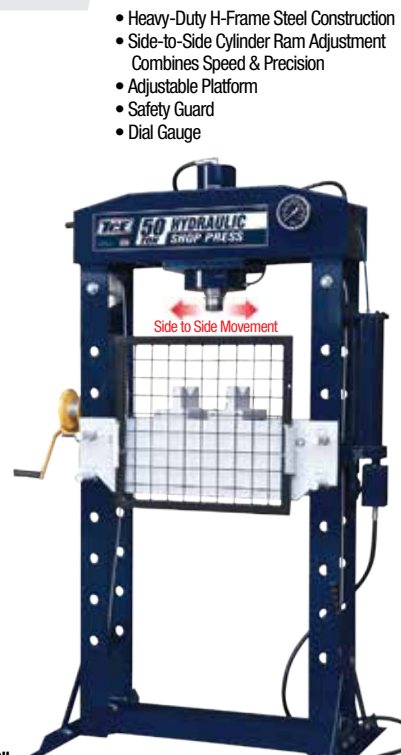
Force: 60,000 lbs  
Bed Internal Dimension: 21-5/8"  
Working Range: 2" to 44-1/2"  
Stroke: 5-7/8"

**50 Ton Shop Press**

SKU 451473  
TCE50021

**1899<sup>99</sup>**

Force: 100,000 lbs  
Bed Internal Dimension: 27-15/16"  
Working Range: 2-5/8" to 36-1/4"  
Stroke: 7-1/2"



The hydraulic cylinder assembly is moveable and equipped with a locking device on all models. Great for hard to maneuver parts.

**Bottle Jacks**

**12-Ton Stubby**

Lifting range: 6-5/8" to 9-15/16"

SKU 451483  
TCE91208

**84<sup>99</sup>**

**20-Ton Stubby**

Lifting range: 7-1/8" to 10-1/2"

SKU 451487  
TCE92008

**119<sup>99</sup>**

**12-Ton Manual**

Lifting range: 9" to 18-1/8"

SKU 451480  
TCE91207

**84<sup>99</sup>**

**20-Ton Manual**

Lifting range: 10-7/8" to 18-3/8"

SKU 451486  
TCE92007

**119<sup>99</sup>**

**12-Ton Air/Hyd**

Lifting range: 10-7/16" to 20"

SKU 451478  
TCE31000

**199<sup>99</sup>**

**20-Ton Air/Hyd**

Lifting range: 10-7/16" to 20"

SKU 451479  
TCE31001

**229<sup>99</sup>**





# JACKS AND HYDRAULICS

## Quick Jacks

**QUICKJACK™**  
By Ranger Products®

## The Ultimate Car Jack and Support System

- Sets up in seconds
- Easy transport
- Lightweight
- Easy to use Portable

The QuickJack Portable Lifting System Makes Vehicle Maintenance on the Track and Off Convenient and Lightning Fast. The QuickJack Can Go Anywhere and Can Be Easily Stowed in the Trunk or Back Seat of Most Cars When Not in Use. Bring It to the Track or Drop It on Your Garage Floor to Perform Routine Maintenance in the Comfort of Your Home, All in Seconds.



### 3,500 Lbs. QuickJack™ Car Jack Support System

SKU **850894**  
RANBL3500SLXA (110V AC) **1,129<sup>99</sup>**

- Complete Package Includes; (2) Ea. Jack Frame Assemblies, (2) Ea. 150" Hydraulic Hoses, (2) Ea. 14" Aux. Hoses, (2) Ea. Quick-mount Handles, (4) Ea. 1.5" X 3" X 4" Rubber Lifting Blocks, (4) Ea. 3" X 3" X 4" Rubber Lifting Blocks, (1) Mini Hydraulic Power Unit with Pendant Control.

Price Does Not Include Vehicles, Installation or Optional Equipment as Shown.



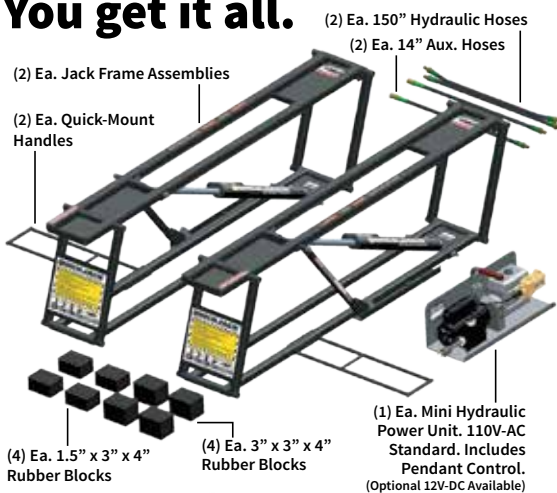
### 5,000 Lbs. QuickJack™ Car Jack Support System

SKU **850896**  
RANBL5000SLXA (110V AC) **1,349<sup>99</sup>**  
SKU **850898**  
RANBL5000SLXD (12V DC)

- Complete Package Includes; (2) Ea. Jack Frame Assemblies, (2) Ea. 150" Hydraulic Hoses, (2) Ea. 14" Aux. Hoses, (2) Ea. Quick-mount Handles, (4) Ea. 1.5" X 3" X 4" Rubber Lifting Blocks, (4) Ea. 3" X 3" X 4" Rubber Lifting Blocks, (1) Mini Hydraulic Power Unit with Pendant Control.

Price Does Not Include Vehicles, Installation or Optional Equipment as Shown.

## You get it all.



## QuickJack™ SUV and Light Truck Adapters

SKU **862288**  
RAN5150561 **299<sup>99</sup>**

- Set of 12 Pieces
- Fits BL-5000 and BL-7000 Series
- Complete Kit Includes: (4) Low-Profile Round Polyurethane Contact Pads (4) Sliding Receivers Accommodate the Round Polyurethane Contact Pads (4) 3" Stackable Adapters



RAN5150561



### 7,000 Lbs. QuickJack™ Car Jack Support System

SKU **850897**  
RANBL7000SLXA (110V AC) **1,599<sup>99</sup>**

- Complete Package Includes; (2) Ea. Jack Frame Assemblies, (2) Ea. 150" Hydraulic Hoses, (2) Ea. 14" Aux. Hoses, (2) Ea. Quick-mount Handles, (4) Ea. 1.5" X 3" X 4" Rubber Lifting Blocks, (4) Ea. 3" X 3" X 4" Rubber Lifting Blocks, (1) Mini Hydraulic Power Unit with Pendant Control. Also Included: (1) SUV and Light Truck Adapter Set That Includes; (4) Low-profile Round Polyurethane Contact Pads, (4) 3" Stackable Adapters, (4) Sliding Receivers

Price Does Not Include Vehicles, Installation or Optional Equipment as Shown.

SPECIFICATIONS:	BL-3500SLX	BL-5000SLX	BL-7000SLX
Weight Capacity / Pair	3,500 Lbs. / 1588 kg.	5,000 Lbs. / 2268 kg.	7,000 Lbs. / 3175 kg.
Individual Frame Weight:	60 Lbs. / 27 kg.	76 Lbs. / 34 kg.	91 Lbs. / 41 kg.
Platform Lifting Height (Frame Only)	16.5" / 419 mm.	17.2" / 437 mm.	17.7" / 450 mm.
Platform Lifting Height (W/Blocks)	20" / 508 mm.	22.5" / 572 mm.	21.2" / 538 mm.
Minimum Collapsed Height	3" / 76 mm.	3" / 76 mm.	3.5" / 89 mm.
Rubber Block Position Min	26.7" / 678 mm.	31.5" / 800 mm.	31.5" / 800 mm.
Rubber Block Position Max	50.5" / 1283 mm.	60" / 1524 mm.	60" / 1524 mm.
Frame Width	10.5" / 267 mm.	11" / 278 mm.	12.5" / 318 mm.
Frame Length	62" / 1575 mm.	72.5" / 1841 mm.	72.5" / 1841 mm.
Lifting Time	10 seconds	15-30 seconds	15-30 seconds



**Leasing Terms Available!†**

Ask Your AutoZone®  
Commercial Sales Manager

**AutoZone®**  
**Tool & Equipment QUARTERLY**

# OMEGALIFT™ EQUIPMENT

Omega Service Jacks are Made for Working Professionals, They Offer the Features and Durability That Professionals Demand, But at a Price That Won't Break the Bank.

The Omega Hybrid Jack combines aluminum and steel resulting in a strong, lightweight jack frame with extra wide wheels for increased stability when fully loaded. Together with a dual piston high speed pump, side handles for ease of carrying and u-joint style control valve makes this the ideal jack to go from the shop to your truck to the racetrack.

No Other Lightweight Jack Incorporates All Of These Features.

**NEW**

## 2½ Ton Aluminum/ Steel Hybrid Jack

SKU 847099 **269<sup>99</sup>**  
OMG26028

- Combines Aluminum and Steel for a Lightweight, Strong Jack Frame
- Extra Wide Wheels for Increased Stability
- Single Piston Magic Lift Lightweight Service Jack
- Minimum Height: 3.86" Maximum Height: 18.62"
- Gross Weight: 57.27 Lbs



## 1½ Ton Aluminum/Steel Hybrid Jack

SKU 847097 **229<sup>99</sup>**  
OMG26017

- Combines Aluminum and Steel for a Lightweight, Strong Jack Frame
- Extra Wide Wheels for Increased Stability
- Dual Piston Speedy Lift Lightweight Service Jack
- Minimum Height: 3.35" Maximum Height: 13.78"
- Gross Weight: 32.88 Lbs



## 3 Ton Aluminum/Steel Hybrid Jack

SKU 847104 **329<sup>99</sup>**  
OMG26033

- Combines Aluminum and Steel for a Lightweight, Strong Jack Frame
- Extra Wide Wheels for Increased Stability
- Single Piston Magic Lift Lightweight Service Jack
- Minimum Height: 3.74" Maximum Height: 19.09"
- Gross Weight: 70.48 Lbs



# OMEGALIFT™ EQUIPMENT

The Omega Low Profile Jack is designed with a fast action pump and u-joint assembly for precise lowering and load control. These new Low Profile Jacks from Omega are ideal for today's vehicles.

## 2 Ton Low Profile Service Jack

SKU 847093 **249<sup>99</sup>**  
OMG29021

- Dual Fast Action Pump Piston
- U-Joint Assembly for Precise Load Control
- Minimum Height: 3.13" Maximum Height: 19.88"
- Gross Weight: 70 Lbs



## 3 Ton Low Profile Service Jack

SKU 847096 **299<sup>99</sup>**  
OMG29033

- Dual Fast Action Pump Piston
- U-Joint Assembly for Precise Load Control
- Minimum Height: 3.54" Maximum Height: 20.50"
- Gross Weight: 91 Lbs

