

JACKS AND HYDRAULICS

Floor Jacks and Stands

2 Ton Floor Jack

SKU 964622
HEIHW93642 **404⁹⁹**

- Min. Height: 4-1/2"
- Max. Height: 20-1/4"



3 Ton Floor Jack

SKU 964623
HEIHW93652 **534⁹⁹**

- Min. Height: 5"
- Max. Height: 23-1/2"



4 Ton Floor Jack

SKU 964624
HEIHW93657 **1,629⁹⁹**

- Min. Height: 5"
- Max. Height: 25-3/4"



22 Ton Air Hydraulic Truck Jack

SKU 544796
24851 **399⁹⁹**

- Compact, Low Profile Design Easily and Safely Fits Between Wheels of Tandem Axle Vehicles
- Min. Height: 8-7/8"
- Max. Height: 17-3/4"
- Ram Travel: 4-3/4"
- Screw Adjustment: 4-1/8"



3 Ton Ratcheting Jack Stand Set

SKU 964601
HEIHW93503 **94⁹⁹**

- Max. Height: 19"
- Ratchet Action Height Adjustment



6 Ton Ratcheting Jack Stand Set

SKU 964621
HEIHW93506 **134⁹⁹**

- Max. Height: 25-3/8"
- Ratchet Action Height Adjustment



The Banner 3-1/2 Ton Fast Lift Service Jack

SKU 344792
BHKB6350 **199⁹⁹**

- Min. Height: 5-1/2"
- Max. Height: 22"



3 Ton Jack Stand Set

SKU 222493
BHKBH5030 **44⁹⁹**

- Max. Height: 17"

3 Ton "Magic Lift" Jack with 3 Ton Stands

SKU 544584
OMG25033 **189⁹⁹**

- Jack Maximum Height: 20-7/8"
- Jack Minimum Height: 5-1/4"
- Jack Stands Maximum Height: 17"
- Jack Stands Minimum Height: 11-1/2"



3-1/2 Ton "Magic Lift" Service Jack

SKU 964644
OMG27035 **249⁹⁹**

- Innovative Design of Magic Lift Offers a Quick Lift
- Max. Height: 23"
- Low Profile Design Allows for Easy Access to Lift Points



20 Ton Air Hydraulic Bottle Jack

SKU 544795
24850 **129⁹⁹**

- Can Be Operated with Air or Manually
- Height: 10.25" - 20"
- Extension Screw Adjusts 3.25"



1,500 Lbs. High Reach Jack Stand

SKU 300796
BHKBH5710 **119⁹⁹**

- Min. Lift Height: 53-3/8"
- Max. Lift Height: 78-7/8"
- Base: 12" Diameter

3/4 Ton High Reach Jack Stand with Foot Pedal

SKU 300797
BHKBH5715 **124⁹⁹**



22 Ton Truck Stand - Pin Style

SKU 964651
OMG32225 **199⁹⁹**

- Min. Height: 9-1/2"
- Max. Height: 19-7/8"
- Sturdy, Welded Steel Construction for Superior Safety and Strength
- Sold in Pairs and Used in Pairs



2 Ton Low Profile Jack

SKU 964645
OMG29023 **274⁹⁹**

- For Low Profile Cars As Well As SUVs
- Extra Long Low Side Rails to Reach Hard to Get to Jack Points
- Low Height: Only 2.5"
- Max. Height: 20"



20 Ton Air Actuated Bottle Jack

SKU 012650
OMG18204C **294⁹⁹**

- Minimum Height: 9-3/4"
- Max Height: 18-3/4"
- Hydraulic Lifting: 5-1/8"
- Extension Screw: 3-7/8"



1-1/2 Ton Aluminum/Steel Hybrid Jack

SKU 847097
OMG26017 **219⁹⁹**

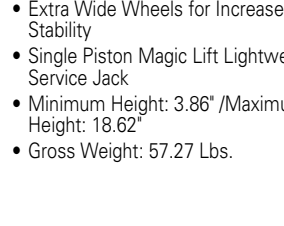
- Combines Aluminum and Steel for a Lightweight, Strong Jack Frame
- Extra Wide Wheels for Increased Stability
- Dual Piston Speedy Lift Lightweight Service Jack
- Minimum Height: 3.35", Maximum Height: 13.78"
- Gross Weight: 32.88 Lbs.



2-1/2 Ton Aluminum/Steel Hybrid Jack

SKU 847099
OMG26028 **269⁹⁹**

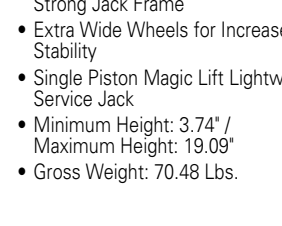
- Combines Aluminum and Steel for a Lightweight, Strong Jack Frame
- Extra Wide Wheels for Increased Stability
- Single Piston Magic Lift Lightweight Service Jack
- Minimum Height: 3.86" / Maximum Height: 18.62"
- Gross Weight: 57.27 Lbs.



3 Ton Aluminum/Steel Hybrid Jack

SKU 847104
OMG26033 **329⁹⁹**

- Combines Aluminum and Steel for a Lightweight, Strong Jack Frame
- Extra Wide Wheels for Increased Stability
- Single Piston Magic Lift Lightweight Service Jack
- Minimum Height: 3.74" / Maximum Height: 19.09"
- Gross Weight: 70.48 Lbs.



2 Ton Low Profile Service Jack

SKU 847093
OMG29021 **219⁹⁹**

- Dual Fast Action Pump Piston
- U-Joint Assembly for Precise Load Control
- Minimum Height: 3.13" Maximum Height: 19.88"
- Gross Weight: 70 Lbs.



3 Ton Low Profile Service Jack

SKU 847096
OMG29033 **299⁹⁹**

- Dual Fast Action Pump Piston
- U-Joint Assembly for Precise Load Control
- Minimum Height: 4" Maximum Height: 21"
- Gross Weight: 83.7 Lbs.



Tripod Jack Stands

2 Ton High Tripod Jack Stands

SKU 901744
RANRJS2TH **119⁹⁹**

- Perfect for Holding Drive Train or Exhaust Components in Position
- Capacity: 4000 Lbs.
- Low Height: 55"
- Max Height: 87"



2 Ton Tripod Auxiliary Stand

SKU 818750
OMG33020 **149⁹⁹**

- Heavy Gauge, Steel Frame Helps Prevent Distortion or Twisting
- Adjustable Height: 53-3/4" - 78-7/8"
- Base: 24" x 24" x 24"



Wheel Dolly

3/4 Ton Wheel Dolly

SKU 291389
OMG47053 **559⁹⁹**

- Safely Remove and Install Wheel Assemblies from HD Trucks
- Single, Duals/Tandems and Duplex Tires and Wheels
- Lift Arms Can Be Adjusted to Handle Different Wheel Combinations



Jack Accessory

Garage Floor Jack Crossbeam

SKU 544803
24833 **59⁹⁹**

- Compatible with Any Floor Jack that Has a 1-1/8" Diameter Saddle Stud
- Saddles Adjust from 23" to 32" On Center
- Weight Capacity at Min. - Max. Width: 3,000 Lbs. - 4,000 Lbs.



Leasing Terms Available!†

Ask Your AutoZone®
Commercial Sales Manager

AutoZone®
Tool & Equipment QUARTERLY

Transmission Jacks

1,100 Lbs. Telescopic Transmission Jack

SKU 544786 24840 **179⁹⁹**

- Lift Range: 51" - 70"
- Adjustable Saddle with Tilt in Both Directions
- Durable Steel Casters
- Safety Tie-Down Chain to Secure the Load



70" REACH

1,100 Lbs. High Lift Transmission Jack with Foot Pump

SKU 750006 24844 **349⁹⁹**

- Lift Range: 47" - 77"
- Adjustable Saddle with Tilt
- Spring-Loaded Release Valve Controls Lowering
- Durable Steel Casters



77" REACH

1/2 Ton Capacity Transmission Jack

SKU 902481 RANRTJ1100 **379⁹⁹**

- Lifting Capacity: 1,100 Lbs.
- Lowered Height: 45"
- Raised Height: 72"



72" REACH

SAVE \$100

1 Ton, 2 Stage Transmission Jack

SKU 544788 24842 **499⁹⁹** REG. \$599.99

- Lift Range: 33.5" - 72.5"
- 3 Way Adjustable Saddle Slides and Tilts Both Directions
- Convenient Foot Pedal Pump and Release
- Safety Anchor
- Chain Included



72-1/2" REACH

Offer Good Through September 30, 2016 - While Supplies Last

700 Lbs. Transmission Jack

SKU 533215 BHKBH7000 **389⁹⁹**

- Lifting Capacity: 700 Lbs.
- Lowered Height: 57-1/4"
- Raised Height: 76-5/8"
- Double Pivoting Adjustable Saddle that Can Expand to Almost 19" x 19"



76-5/8" REACH

1 Ton Telescoping "Transjak"

SKU 902478 RANRTJ1 **689⁹⁹**

- Capacity First Stage: 2,000 Lbs.
- Capacity Second Stage: 1,000 Lbs.
- Lowered Height: 37"
- Raised Height: 79-1/2"



79-1/2" REACH

1-1/2 Ton Telescoping Transmission Jack

SKU 902484 RANRTJ3000 **749⁹⁹**

- Capacity First Stage: 3,000 Lbs.
- Capacity Second Stage: 2,000 Lbs.
- Lowered Height: 37"
- Raised Height: 79-1/2"



79-1/2" REACH

SAVE \$50

ManSpace 2 Stage Transmission Jack

SKU 186451 DAN105452 **480⁹⁹** REG. \$530.99

- First Stage: 1,000 Lbs., Second Stage: 500 Lbs.
- Min: 34" - Max: 71"
- Safety Overload System
- Heavy-Duty Steel Swivel Casters
- Hands-Free Foot Pedal



Offer Good Through September 30, 2016 - While Supplies Last

1/2 Ton Air Actuated Telescopic Transmission Jack

SKU 222744 OMG41001C **1079⁹⁹**

- Air Turbo Motor Is Air Equipped to Raise the Load to the Desired Height Efficiently, Effortlessly and Safely
- Chrome-Plated Rams Maximize Its High Reach Operated By a User-Friendly Foot Pedal
- Max. Height: 78-1/8"



78-1/8" REACH

1/2 Ton Telescoping Transmission Jack

SKU 964652 OMG41000C **744⁹⁹**

- Lifting Capacity: 1,000 Lbs.
- Lowered Height: 37-7/8"
- Raised Height: 77-5/8"



77-5/8" REACH

800 Lbs. Low Profile Transmission Jack

SKU 544789 24843 **349⁹⁹**

- Lift Range: 8-1/4" to 30-1/2"
- Fully Adjustable Saddle Adapts to Most Transmission Pans
- Swivel Saddle Adjusts Both Directions
- (4) Swivel Ball Bearing Casters for Ease of Mobility



1 Ton Floor Style Transmission Jack

SKU 964631 HEIHW93718 **2,284⁹⁹**

- Max. Height: 44-3/4"
- Designed for Heavy Duty Transmissions



Fuel Tank Adapter for Transmission Jacks

SKU 222503 DOWJDI-FTA7 **189⁹⁹**

- Safe and Convenient Adapter for Handling Vehicle Fuel Tanks
- Works with Most Transmission Jacks



Body Repair



SKU 301327 24820 **149⁹⁹**

- Long Handle Provides Low Pumping Effort
- Comes in a Blow Mold Case



SKU 964654 OMG50040 **174⁹⁹**

- Quick Connect Technology for Effortless Assembly



SKU 964658 PPBB65114 **199⁹⁹**

- Snap-Lock Design for Quick and Easy Assembly
- Automatic Pump Overload System Protects Against Damage to Rams and Equipment
- 1/2 Ton Capacity Hydraulic Spreader Features 2" Jaws and Spreads from 5/8" to 3-3/4"
- Custom Fitted, Rugged Blow Molded Storage Case with Wheels for Easy Movement Between Jobs



SKU 301328 24821 **259⁹⁹**

- Features a Faster (Double-Action) Hydraulic Pump Causing the Ram to Move with Both the Up and Down Strikes of the Arm
- Comes in a Blow Mold Case



SKU 964656 OMG50100 **274⁹⁹**

- Quick Connect Technology for Effortless Assembly of Attachments to Meet Your Pushing and Pulling Needs
- Includes: Hand Pump, Hydraulic Hose, 10 Ton Ram, 18", 10", 4-1/8" and 28" Extension Tubes, Male Connector, Wedge Head, Serrated Saddle, Flat Base, Ram Toe, Plunger Toe, Rubber Head, 90° Combination Head, Spreader, Dust Cover (for Hose), Dust Cover (for Ram), Hose Coupler, Ram Coupler and Blow Mold Case



SKU 964663 PPBB65115 **354⁹⁹**

- Snap-Lock Design for Quick and Easy Assembly
- Automatic Pump Overload System Protects Against Damage to Rams and Equipment
- 1/2 Ton Capacity Hydraulic Spreader Features 2" Jaws and Spreads from 5/8" to 3-3/4"
- Custom Fitted, Rugged Blow Molded Storage Case with Wheels for Easy Movement Between Jobs

Accessories

5 Ton Flat Body Kit

SKU 964667 PPBB65139 **154⁹⁹**

- Ideal for Applications in Limited Spaces
- (4) Adapters for Added Height
- Chrome Plated Plunger



10,000 PSI Air Actuated Foot Pump

SKU 964639 OMG22903 **294⁹⁹**

- Provides Up to 10,000 PSI with Standard Shop Air Supply of 110 - 175 PSI
- Oil Capacity: 50 Oz.

JACKS AND HYDRAULICS

BONUS Shop Press Pin Set

SKU 544794 | PART# 24813
Value: \$99.99



- Includes Set of (8) Press Pins, 2 to 20 Ton Capacity, with 25 mm Ram Adapter
- Suitable for Use with Hydraulic Ram Style Shop Presses Which Have a Female Ram Assembly Diameter of 25 mm and Are Secured with a Bolt
- Includes Mountable Bracket
- Works with OEMTOOLS 24811 and 24812
- Not for Use with Bottle Jack Style Shop Presses

OEM TOOLS

with Purchase of:
12 Ton Hydraulic Shop Press w/ Gauge
SKU 544790 | Part# 24811
or
20 Ton Air/Hydraulic Shop Press w/ Gauge
SKU 544793 | Part# 24812

12 Ton Hydraulic Shop Press with Gauge

SKU 544790
24811
349⁹⁹

- Includes Press Blocks
- Oil Filled Pressure Gauge Provides Accurate Pressure Readings
- Measurement Between Uprights: 20"
- Working Range: 0" to 36-1/8"



20 Ton Air/Hydraulic Shop Press with Gauge

SKU 544793
24812
499⁹⁹

- Includes Press Blocks
- Oil Filled Pressure Gauge Provides Accurate Pressure Readings
- Ram Moves Side to Side for Versatility
- Measurement Between Uprights: 21-1/8"
- Working Range: 0" to 40-1/2"



Offer Good Through September 30, 2016 - While Supplies Last

SAVE \$50

OEM TOOLS

20 Ton Shop Press

SKU 300134
24810
329⁹⁹ REG. \$379.99

- Remove and Install Bearings, Gears, U-Joints, Bushings, Ball Joints and Pulleys
- Multi-Position Bed for Work Height Adjustment
- Max. Height: 31.5"
- Max. Width: 21.75"
- Includes Press Plates



Offer Good Through September 30, 2016 While Supplies Last

Super Heavy Duty H-Frame Press Weighs Over 250 Lbs. Providing More Strength And Durability Compared to Similar Lighter Weight Shop Presses On the Market

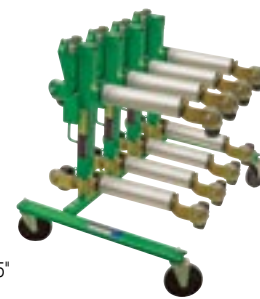
SAVE \$100

OEM TOOLS

Vehicle Position Jacks with Storage Cradle

SKU 696485
68986
449⁹⁹ REG. \$549.99

- Includes (4) Position Jacks with Storage Stand
- Move Up to a 6,000 Lbs. Vehicle with Ease Adjusts 3.25"



Offer Good Through September 30, 2016 - While Supplies Last

SAVE \$30

OEM TOOLS

1,500 Lbs. Vehicle Position Jack (Each)

SKU 544798
24855
99⁹⁹ REG. \$129.99

- Hydraulic Ram Provides Stable Foot Pedal Lift in Seconds
- Rolls in Any Direction



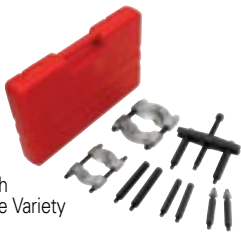
Offer Good Through September 30, 2016 - While Supplies Last

Bearing Separators

5 Ton Bar-Type Puller/Bearing Separator Set

SKU 347218
27236
99⁹⁹

- Separator Tools Are Used with Bar Puller and Legs for a Wide Variety of Pulling Jobs
- Set Includes: 2" and 3" Bearing Splitters, (4) Sets of Hex Push-Puller Legs and a Bar-Type Puller Head with a 9/16" Forcing Screw



Bearing Splitter, 1/2" to 4-5/8"

SKU 514006
27232
59⁹⁹

- Razor Sharp Edges Wedge Between Parts and Securely Holds Tool
- Maximum Spread: 4-5/8"
- Minimum Spread: 1/2"
- Thread of Tapped Holes in Adapter: 5/8" - 18
- Distance Between Adjusting Screws: 4-3/8"



Bearing Splitter, 1/4" to 15/16"

SKU 514005
27231
29⁹⁹

- Maximum Spread: 15/16"
- Minimum Spread: 1/4"
- Thread of Tapped Holes in Adapter: 5/16" - 18
- Distance Between Adjusting Screws: 1-11/16"



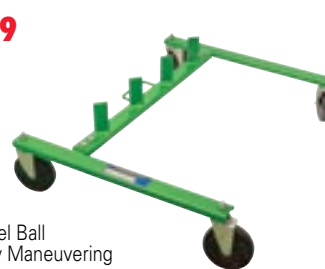
Wheel Dollies

OEM TOOLS

Vehicle Position Jack Storage Stand

SKU 544800
24856
59⁹⁹

- Neatly Secure and Store Up to (4) Vehicle Car Dolly Jacks
- Dimensions: 24-7/8" (L) x 31-7/8" (W) x 9-9/16" (H)
- 5" x 1" 360 Degree Swivel Ball Bearing Wheels for Easy Maneuvering
- Weight Capacity: 300 Lbs.



Engine Lifts

Duralast

2 Ton Capacity Engine Hoist

SKU 123037
80-900T
229⁹⁹

- 8 Ton Capacity Hydraulic Jack for Faster and Easier Raising Action
- Large Diameter Ram to Withstand Side Loads
- 4 Position Telescoping Boom Is Adjustable from 1/2 Ton to 2 Ton Capacity
- Legs Are Over 55" Long for Greater Stability



2 Ton Folding Shop Crane

SKU 544801
24830
399⁹⁹

- Foldable Design Makes for Convenient, Easy Storage
- (6) Solid Steel Caster Wheels Add Mobility
- Fully Adjustable 4 Position Boom



2 Ton Folding Engine Crane

SKU 902288
RANRSC2TF
499⁹⁹

- Heavy Duty Hydraulic Folding Engine Hoist with 8 Ton Capacity Ram Is Perfect for Shops that Have Limited Space but Still Need the Pure Lifting Convenience of a Crane
- Front Casters Include a Safety Brake to Prevent Movement



Engine Supports

THEXTON

GM Engine Moving Tool

SKU 511006
THX419X
59⁹⁹

- Fits GM Front Wheel Drive Vehicles with Engine Torque Struts
- Safely Holds Engine in Place
- Extra Bolt Holes Provide Fit On All Vehicles
- Includes Adapter 419A



3 Point Engine Support Bar

SKU 133617
24951
79⁹⁹

- Makes Removal of Transaxle Easy By Supporting Engine of Front Wheel Drive Vehicles
- 700 Lbs. Capacity
- (2) 14" Adjustable Hook Screws
- Width Expands from 34-1/2" to a Full 61"
- (2) 38" Braided Steel Cables



1,100 Lbs. Engine Support

SKU 512946
24950
119⁹⁹

- (2) Screw Adjusters for Precise Positioning - Makes Job Easier, Faster and Safer
- Rubber Feet to Prevent Damage to Vehicle and Ensure Stability
- 1,100 Lbs. Capacity



LOWER PRICE

2 HOOKS - 2 CHAINS
Twice the Adjustment Means Faster, Easier AND Safer

Engine Stands

OEM TOOLS

1,250 Lbs. Engine Stand

SKU 462493
24829
129⁹⁹

- Easy-to-Move and Rotate
- Heavy Gauge Square Steel Tube Frame
- Extra Wide 4 Wheel Base Provides Added Stability
- 360° Rotation
- Lock Pin Locks Engine into Position
- Includes Tool Tray



1,250 Lbs. Engine Stand

SKU 534418
OMG31250
179⁹⁹

- Constructed from Heavy Gauge Welded Square Tubular Steel
- Extra Long Handle with Rubber Grips for Easy Rotation and Maneuvering



1 Ton Folding Engine Stand

SKU 544804
24834
249⁹⁹

- Folds Upright to Conserve Valuable Floor Space
- Sturdy, Wide Base Design to Prevent Tipping Under Load
- Slotted Adjustable Saddle Permits Quick and Easy Installation
- Head Swivels 360° to Easily Position Engine



1,250 Lbs. Rotating Engine Stand

SKU 964646
OMG31256
339⁹⁹

- Extra Long Handle with Rubber Grip for Easy Rotation and Maneuvering
- Head Plate Locks in 8 Positions and Rotates 360°
- Heavy Duty Worm Gear Allows for Smooth and Effortless Engine Rotation



Leasing Terms Available!†

Ask Your AutoZone®
Commercial Sales Manager

AutoZone®
Tool & Equipment QUARTERLY



Torin®'s newest brand "TCE" brings the professional market the same pride, dependability and service automotive professionals have trusted for the last 50 years.



All TCE products carry a two (2) year limited warranty.

Hoist Stands

1,500 lbs. High Position Jack Stand

SKU 451493
TCE40753
99⁹⁹

- Max Height 79-7/8"
- Featuring Heavy-Duty Steel and High-Strength Welds for Safety in Mind
- ACME All Thread Rod Adjustment for Varied Load Heights



2 Ton Tri-Fold High Position Jack Stand

SKU 451494
TCE42009
109⁹⁹

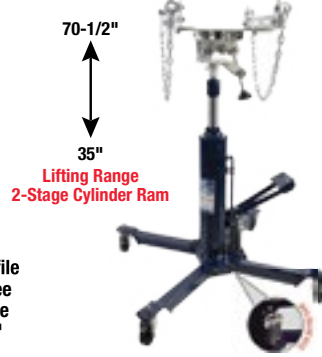
- Max Height 83-3/4"

Transmission Jacks

1000 lbs Telescoping Transmission Jack

SKU 451475
TCE50055
749⁹⁹

Double Ram for a Lower Profile
Saddle Forward Tilt 30 Degree
Saddle Reverse Tilt 12 Degree
Lifting Range: 35" to 70-1/2"



1 TON Transmission Jack

SKU 451476
TCE10001
629⁹⁹

- Single Person Operation
- Heavy-Duty Jack for Transmission Installation and Removal
- Universal Mounting Head Provides a Wide Fore and Aft Tilt Range



Saddle Forward Tilt 68 Degree
Saddle Reverse Tilt 15 Degree
Rated Capacity: 2000 Lbs.
Lifting Range: 8-1/4" to 30-5/8"

Jack Stands

7 Ton Square Tube Vehicle Support Stand

SKU 451490
TCE47000
119⁹⁹

Adjustment Range: 9-5/8" to 15-3/8"

(Sold in Pairs)



10 Ton Support Stand

SKU 451491
TCE41000
164⁹⁹ each

Adjustment Range: 28-3/8" to 46-7/8"



Vehicle Support Stand

(Sold in Pairs)

4 Ton
Adjustment Range: 12-3/16" to 18-7/8"
SKU 451488
TCE44008
79⁹⁹

7 Ton
Adjustment Range: 16-5/16" to 25-3/16"
SKU 451489
TCE47008
119⁹⁹



Auto Body Repair Kit

4 Ton Auto Body Repair Ram System

Min. Ram Stroke 10-3/4" Max. Ram Stroke 15-5/8"

SKU 451492
TCE70401
159⁹⁹



Bottle Jacks



12-Ton Stubby
Lifting range: 6-5/8" to 9-15/16"

SKU 451483
TCE91208
84⁹⁹

20-Ton Stubby
Lifting range: 7-1/8" to 10-1/2"

SKU 451487
TCE92008
119⁹⁹



12-Ton Manual
Lifting range: 9" to 18-1/8"

SKU 451480
TCE91207
84⁹⁹

20-Ton Manual
Lifting range: 10-7/8" to 18-3/8"

SKU 451486
TCE92007
119⁹⁹



12-Ton Air/Hyd
Lifting range: 10-7/16" to 20"

SKU 451478
TCE31000
199⁹⁹

20-Ton Air/Hyd
Lifting range: 10-7/16" to 20"

SKU 451479
TCE31001
229⁹⁹

Lift Equipment

4,000 lbs (2 Ton) Ultra-Low Profile Garage Jack

- Lifting Range: 3" to 20"
- Ultra-Low Profile Design Gives Clearance to Even High Performance Super Cars
- Heavy-Duty Tubular Grip Handle That Provides Easy Handling
- Patented Quad-Trak Designed Polyurethane Front Wheels That Get Over Any Bump or Crack with No Resistance
- Polyurethane Mounted Rear Swivel Caster Wheels
- Rubber Saddle Pad and Foam Bumper Pad
- Built-In Wheel Nut Tray

SKU 451477
TCE82002
359⁹⁹



6,500 lbs (3-1/4 Ton) Professional Garage Jack

- Lifting Range: 3-13/16" to 21-1/8"
- Designed for the Shop Guys with Work in Mind and Security Guaranteed
- Dual Pump Pistons for Faster Rising Action
- Thick U-Channel Frame Side Plates and Reinforced Lifting Arm
- Tubular Grip Handle That Provides Easy Handling
- Rubber Saddle Pad and Foam Bumper Pad

SKU 451485
TCE83508
199⁹⁹



Shop Presses

20 Ton Shop Press

SKU 451481
TCE20021
899⁹⁹

Force: 40,000 lbs
Bed Internal Dimension: 21-5/8"
Working Range: 0" to 39-3/8"
Stroke: 7-1/2"

30 Ton Shop Press

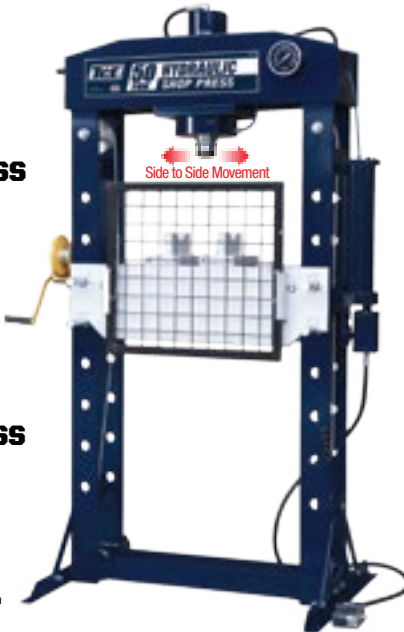
SKU 451472
TCE30021
1099⁹⁹

Force: 60,000 lbs
Bed Internal Dimension: 21-5/8"
Working Range: 2" to 44-1/2"
Stroke: 5-7/8"

50 Ton Shop Press

SKU 451473
TCE50021
1899⁹⁹

Force: 100,000 lbs
Bed Internal Dimension: 27-15/16"
Working Range: 2-5/8" to 36-1/4"
Stroke: 7-1/2"



- Heavy-Duty H-Frame Steel Construction
- Side-to-Side Cylinder Ram Adjustment Combines Speed & Precision
- Adjustable Platform
- Safety Guard
- Dial Gauge

The hydraulic cylinder assembly is moveable and equipped with a locking device on all models. Great for hard to maneuver parts.



- Heavy-duty H-frame. Air pneumatic pump with trigger push-button control
- Bends, presses and straightens
- Gauge dial
- Double spring ram return

40 Ton Shop Press

Force: 80,000 lbs
Bed Internal Dimension: 27.12"
Working Range: 0" to 35.04"
Stroke: 6.89"

SKU 335338
TRD54003
799⁹⁹

45 Ton Shop Press

Force: 90,000 lbs
Bed Internal Dimension: 25.38"
Working Range: 0" to 34.06"
Stroke: 6.89"

SKU 103248
TRD54501
899⁹⁹

50 Ton Shop Press

Force: 100,000 lbs
Bed Internal Dimension: 27-15/16"
Working Range: 2-5/8" to 36-1/4"
Stroke: 7-1/2"

SKU 341096
TRD55002
999⁹⁹



Rolling Tool Cart

- Ideal for both domestic and industrial use.
- Manufactured of heavy gauge steel.
- Work surface with slip resistant rubber mat.
- Four wheels for easy maneuvering.



SKU 988851
TC325C
199⁹⁹

Mobile Work Station

SKU 988853
TC327
289⁹⁹



JACKS AND HYDRAULICS

Quick Jacks



QUICKJACK™



The Ultimate Car Jack and Support System

- Sets up in seconds
- Easy to transport
- Simple to operate

The QuickJack Portable Lifting System Makes Vehicle Maintenance on the Track and Off Convenient and Lightning Fast. The QuickJack Can Go Anywhere and Can Be Easily Stowed in the Trunk or Back Seat of Most Cars When Not in Use. Bring It to the Track or Drop It on Your Garage Floor to Perform Routine Maintenance in the Comfort of Your Home, All in Seconds.

3,500 Lbs. QuickJack™ Car Jack Support System

SKU 850894
RANBL3500SLXA (110V AC) **1,129⁹⁹**

- Complete Package Includes; (2) Ea. Jack Frame Assemblies, (2) Ea. 150" Hydraulic Hoses, (2) Ea. 14" Aux. Hoses, (2) Ea. Quick-mount Handles, (4) Ea. 1.5" X 3" X 4" Rubber Lifting Blocks, (4) Ea. 3" X 3" X 4" Rubber Lifting Blocks, (1) Mini Hydraulic Power Unit with Pendant Control.

12V DC Option Available

Price Does Not Include Vehicles, Installation or Optional Equipment as Shown.



5,000 Lbs. QuickJack™ Car Jack Support System

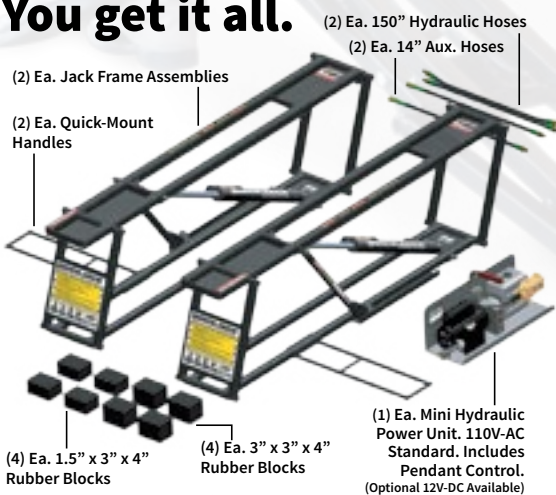
SKU 850896
RANBL5000SLXA (110V AC) **1,349⁹⁹**

- Complete Package Includes; (2) Ea. Jack Frame Assemblies, (2) Ea. 150" Hydraulic Hoses, (2) Ea. 14" Aux. Hoses, (2) Ea. Quick-mount Handles, (4) Ea. 1.5" X 3" X 4" Rubber Lifting Blocks, (4) Ea. 3" X 3" X 4" Rubber Lifting Blocks, (1) Mini Hydraulic Power Unit with Pendant Control.

12V DC Option Available

Price Does Not Include Vehicles, Installation or Optional Equipment as Shown.

You get it all.



QuickJack™ SUV and Light Truck Adapters

SKU 862288
RAN5150561 **299⁹⁹**

- Set of 12 Pieces
- Fits BL-5000 and BL-7000 Series
- Complete Kit Includes: (4) Low-Profile Round Polyurethane Contact Pads (4) Sliding Receivers Accommodate the Round Polyurethane Contact Pads (4) 3" Stackable Adapters



7,000 Lbs. QuickJack™ Car Jack Support System

SKU 850897
RANBL7000SLXA (110V AC) **1,599⁹⁹**

- Complete Package Includes; (2) Ea. Jack Frame Assemblies, (2) Ea. 150" Hydraulic Hoses, (2) Ea. 14" Aux. Hoses, (2) Ea. Quick-mount Handles, (4) Ea. 1.5" X 3" X 4" Rubber Lifting Blocks, (4) Ea. 3" X 3" X 4" Rubber Lifting Blocks, (1) Mini Hydraulic Power Unit with Pendant Control. Also Included: (1) SUV and Light Truck Adapter Set That Includes; (4) Low-profile Round Polyurethane Contact Pads, (4) 3" Stackable Adapters, (4) Sliding Receivers

12V DC Option Available

Price Does Not Include Vehicles, Installation or Optional Equipment as Shown.

SPECIFICATIONS:	BL-3500SLX	BL-5000SLX	BL-7000SLX
Weight Capacity / Pair	3,500 Lbs. / 1588 kg.	5,000 Lbs. / 2268 kg.	7,000 Lbs. / 3175 kg.
Individual Frame Weight:	60 Lbs. / 27 kg.	76 Lbs. / 34 kg.	91 Lbs. / 41 kg.
Platform Lifting Height (Frame Only)	16.5" / 419 mm.	17.2" / 437 mm.	17.7" / 450 mm.
Platform Lifting Height (W/Blocks)	20" / 508 mm.	22.5" / 572 mm.	21.2" / 538 mm.
Minimum Collapsed Height	3" / 76 mm.	3" / 76 mm.	3.5" / 89 mm.
Rubber Block Position Min	26.7" / 678 mm.	31.5" / 800 mm.	31.5" / 800 mm.
Rubber Block Position Max	50.5" / 1283 mm.	60" / 1524 mm.	60" / 1524 mm.
Frame Width	10.5" / 267 mm.	11" / 278 mm.	12.5" / 318 mm.
Frame Length	62" / 1575 mm.	72.5" / 1841 mm.	72.5" / 1841 mm.
Lifting Time	10 seconds	15-30 seconds	15-30 seconds

Leasing Terms Available!†

Ask Your AutoZone®
Commercial Sales Manager

AutoZone®
Tool & Equipment QUARTERLY

OMEGALIFT™ EQUIPMENT

Omega Service Jacks are Made for Working Professionals, They Offer the Features and Durability That Professionals Demand, But at a Price That Won't Break the Bank.

The Omega Hybrid Jack combines aluminum and steel resulting in a strong, lightweight jack frame with extra wide wheels for increased stability when fully loaded. Together with a dual piston high speed pump, side handles for ease of carrying and u-joint style control valve makes this the ideal jack to go from the shop to your truck to the racetrack.

No Other Lightweight Jack Incorporates All Of These Features.

3 Ton Aluminum Jack

SKU 847102 **369⁹⁹**
OMG26030

- All Aluminum Structure Provides Strength and Stability
- Side Frame Handles Allow for Easy Carrying
- U-Joint Assembly for Precise Load Control
- Minimum Height: 2.91" Maximum Height: 20.12"
- Gross Weight: 44lbs



OMEGALIFT™ EQUIPMENT

The Omega Low Profile Jack is designed with a fast action pump and u-joint assembly for precise lowering and load control. These new Low Profile Jacks from Omega are ideal for today's vehicles.

2½ Ton Low Profile Magic Lift Jack

SKU 847105 **189⁹⁹**
OMG29028

- Foam Handle Cover
- U-Joint Assembly for Precise Load Control
- Minimum Height: 3.35"
- Maximum Height: 19.3"
- Gross Weight: 69.5 Lbs



2 1/2 Ton Low Profile Service Jack

SKU 847094 **229⁹⁹**
OMG29027

- Dual Fast Pump Piston
- U-Joint Assembly for Precise Load Control
- Minimum Height: 2.9"
- Maximum Height: 20"
- Gross Weight: 71 Lbs



3 Ton Low Profile Magic Lift Jack

SKU 847106 **199⁹⁹**
OMG29031

- Foam Handle Cover
- U-Joint Assembly for Precise Load Control
- Minimum Height: 3.75"
- Maximum Height: 19.75"
- Gross Weight: 75.3 Lbs



3 1/2 Ton Low Profile Magic Lift Jack

SKU 847107 **219⁹⁹**
OMG29038

- Foam Handle Cover
- U-Joint Assembly for Precise Load Control
- Minimum Height: 4"
- Maximum Height: 21"
- Gross Weight: 83.7 Lbs

